

## Radial Piston Crimping Tool (RPC)

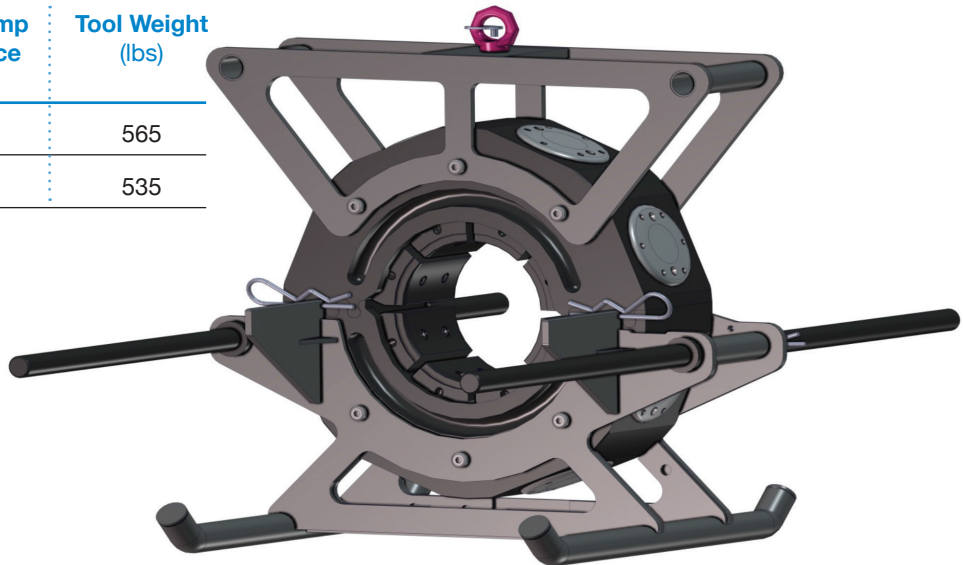
Volant's RPC is a hydraulically-driven, load-controlled crimping tool used to apply radial load in crimping and swaging applications. The RPC is portable and built for field applications. The patented split-housing architecture makes it possible to easily position the crimper anywhere along sections of pipe. With a full one inch of diametrical stroke, the interchangeable crimp jaws accommodate special geometry requirements and allow variable curvatures and lengths.

### Tool Model: RPC1-10.25 Specification Summary

#### Base Tool Characteristics

Maximum Working Pressure	psi	10,000
Working Crimp Force	lbs	1,100,000
Number of Pistons		8
Diametrical Clearance	in	10.3
Diametrical Stroke	in	1.05
Length of Dies	in	5.15
Tool Height without Frame	in	21.0
Tool Height with Frame	in	29.0
Base Tool Weight	lbs	510

Crimp Jaw Part No. <sup>1</sup>	Diametrical Die Curvature (in)	Max. Crimp Clearance (in)	Tool Weight (lbs)
82443	7.05	7.89	565
82444	9.13	9.86	535



<sup>1</sup> Current crimp jaws shown. Custom crimp jaws are available upon request.

**Give us a problem. Or just drop us a line if you want to know more.**

+1 866.8VOLANT / +1 866.886.5268 +1 780.784.7099 [sales@volantproducts.ca](mailto:sales@volantproducts.ca) [volantproducts.ca](http://volantproducts.ca)

